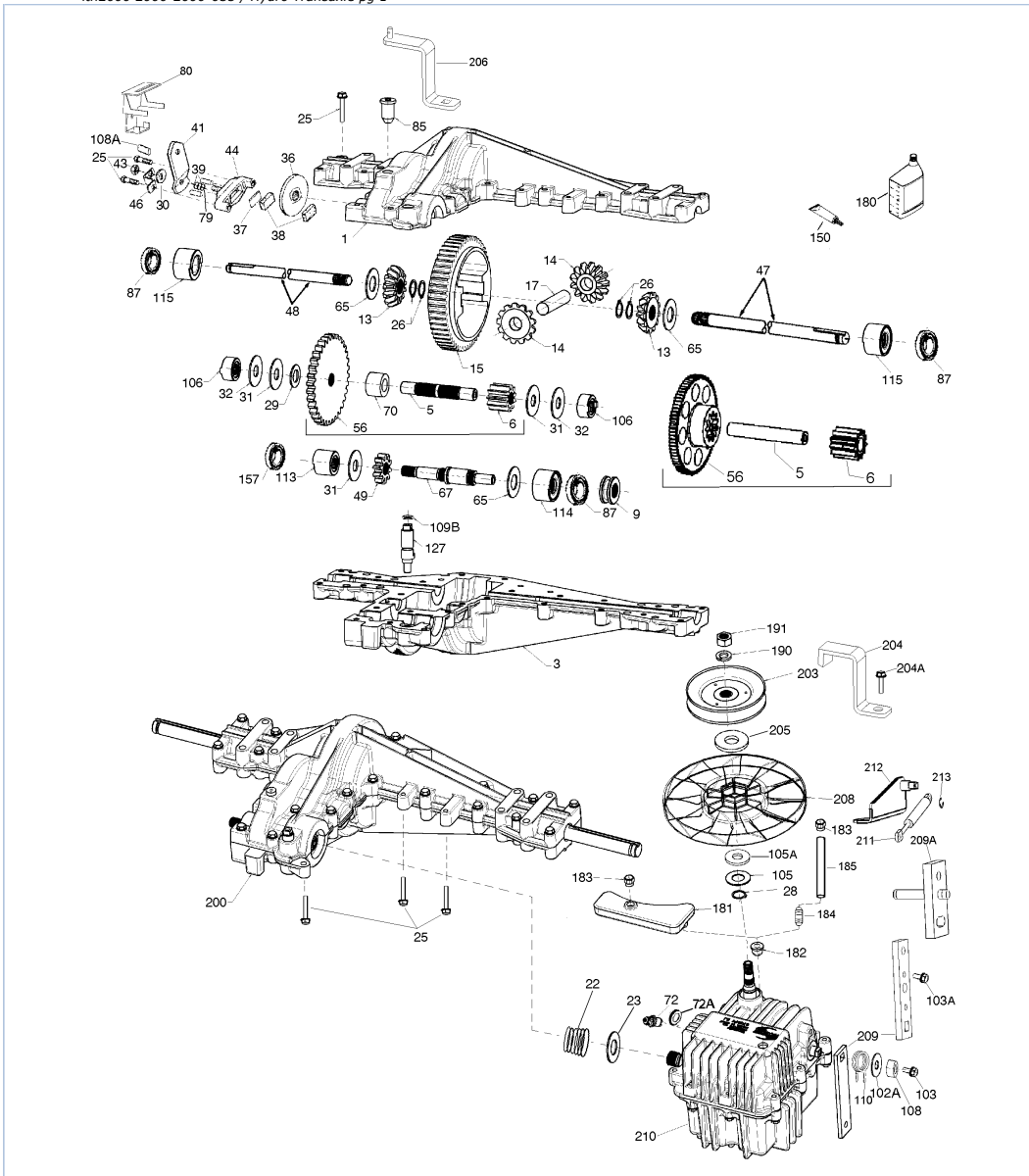


lth2000 2000-2000-035 / Hydro Transaxle pg 1

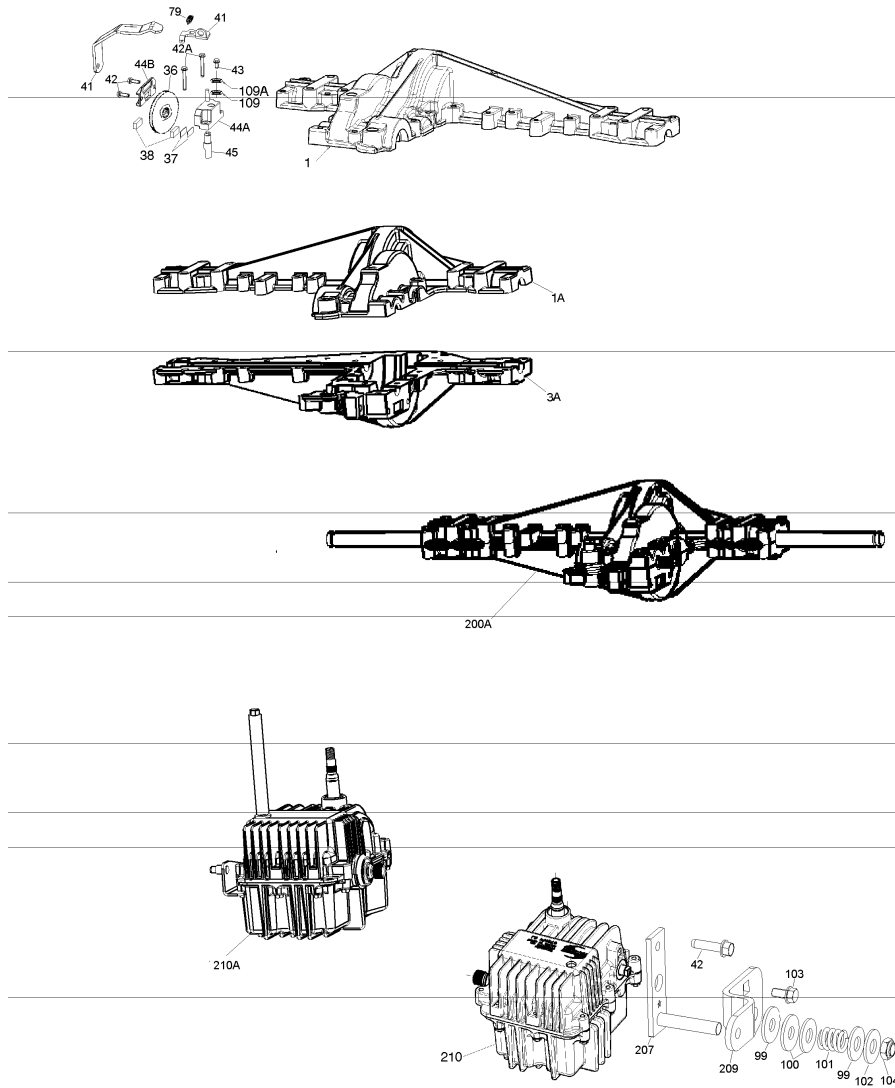


Part List

lth2000 2000-2000-035 / Hydro Transaxle pg 1

REF #	ITEM #	DESCRIPTION	QTY	REMARK
1	772151	Cover LH	1	
3	770135A	Case	1	
5	776445	Counter Shaft (No Serrations)	1	
6	778387	Spur Gear 11T PM	1	
9	786197	Neutral Sleeve .572L	1	
14	778368	Differential Gear Set 13T PM	1	(Complete set of 4-gears - Incl. Ref. 13 & 14)
15	778373	Ring Gear (54 Teeth)	1	
17	786139	Drive Pin	1	
23	792195	Washer .750 ID .032T	1	
25	792073A	Screw, 1/4-20 x 1-1/4"	36	
26	792125	Retaining Ring .688 X .042 EXT	2	package of 2
28	792035	Retaining Ring .625 ID	2	
29	780179	Washer .627 ID .140W	2	
30	792076A	Washer .312ID .059W	1	
31	780189	Washer .563 ID .062W	1	
32	780072	Washer .627 ID .031W	3	
36	790075	Brake Disk	1	
37	790007	Brake Pad Plate	1	
38	799021	Brake Pad	2	
39	786026	Dowel Pin .3125 x .750	2	
41	790104	Brake Lever	1	
43	792075	Lock Nut 5/16-24	1	
44	790025	Brake Pad Holder	1	
46	786086	Bracket	1	
47	775106	Axle 18.719" Long	1	
48	775107	Axle 13.531" Long	1	
49	778388	Spur Gear 18T PM SER	1	
56	778386	Spur Gear 81T PM	1	
65	780001	Washer .750 ID .56W	3	
65	780195	Washer .750 ID .062W	3	
67	776440	Brake Shaft	1	
79	792144	Spring	1	
85	792154	Oil Fill Plug	1	
87	788088A	Oil Seal 3/4" ID	2	
103	792193	Screw, 1/4-28 x .490	1	
103A	792205	Screw, 1/4-28 X .406	2	
105	780096	Washer .625 ID .057 W	1	
106	786205	Needle Bearing & Sleeve Assembly	2	
108	786202	Spacer .510 ID	1	
110	798052	Neutral Return Spring	1	
114	786200	Sleeve Assembly (Incl. 87)	1	
115	786198	Sleeve Assembly (Incl. 87)	2	
127	784384	Shift Lever Assembly (Incl. 109)	1	
150	788093A	Liquid Gasket RTV Silicon	1	
157	788102	Oil Seal .5625 ID	1	
180	730229B	Gear Oil 80W90 (32 oz.)	1	
181	798042	OVERFLOW BOTTLE LH	1	
182	788103	Grommet	1	
183	792118	Pressure Relief Fitting (1-5 PSI)	1	
190	792150	Washer .443 ID .109 W	1	
191	792151	Nut 7/16-20	1	
200	794876	Differential (Gear Reduction Drive)	1	
203	798084	Pully & Hub Assembly	1	
208	798040	Fan	1	
209	798074	Control Lever	1	
209A	798051	Shifter Lever Assembly	1	
210	794875	Hydro Module LH (Foot Control)	1	

lth2000a 2000-2000-035 / Hydro Transaxle pg 2



Part List

lth2000a 2000-2000-035 / Hydro Transaxle pg 2

REF #	ITEM #	DESCRIPTION	QTY	REMARK
1	772151	Cover LH	1	
36	790075	Brake Disk	1	
37	790007	Brake Pad Plate	1	
38	799021	Brake Pad	2	
41	790104	Brake Lever	1	
42	792177	Screw, 1/4-20 x 1-3/8"	2	
43	792075	Lock Nut 5/16-24	1	
79	792144	Spring	1	
103	792193	Screw, 1/4-28 x .490	1	
109A	788104	O-Ring (.364 ID)	1	
209	798074	Control Lever	1	
210	794875	Hydro Module LH (Foot Control)	1	